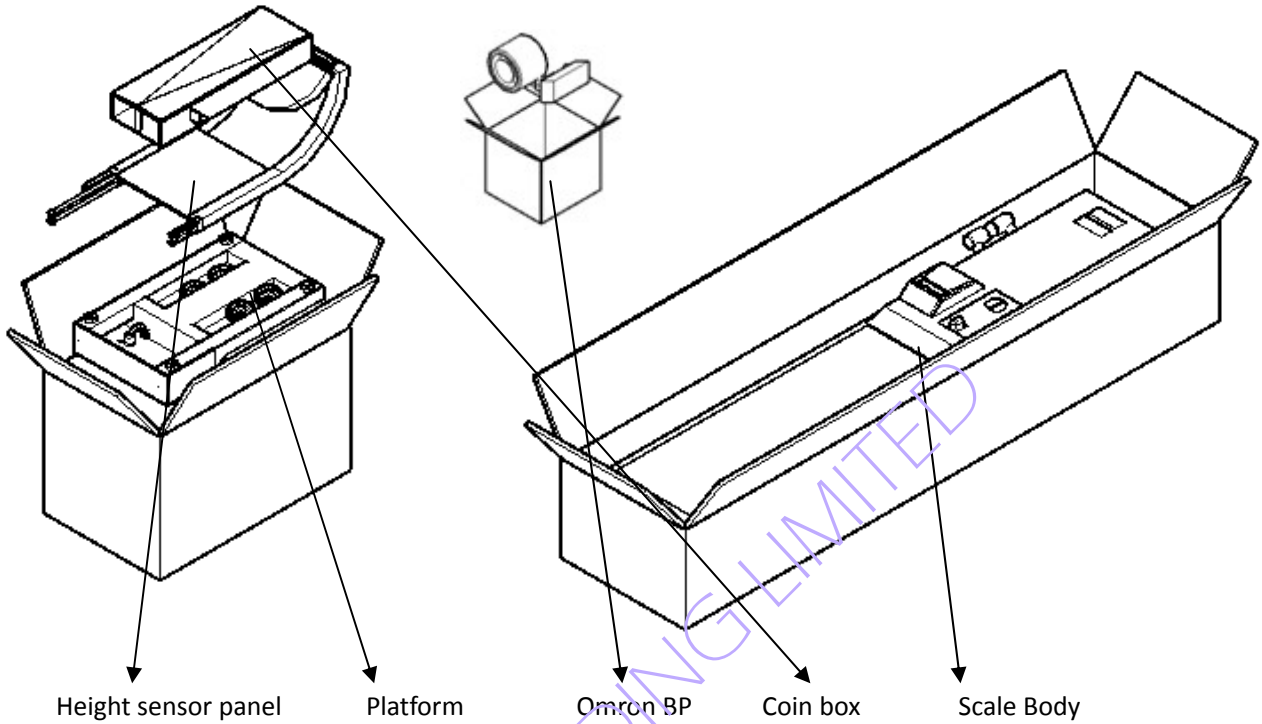
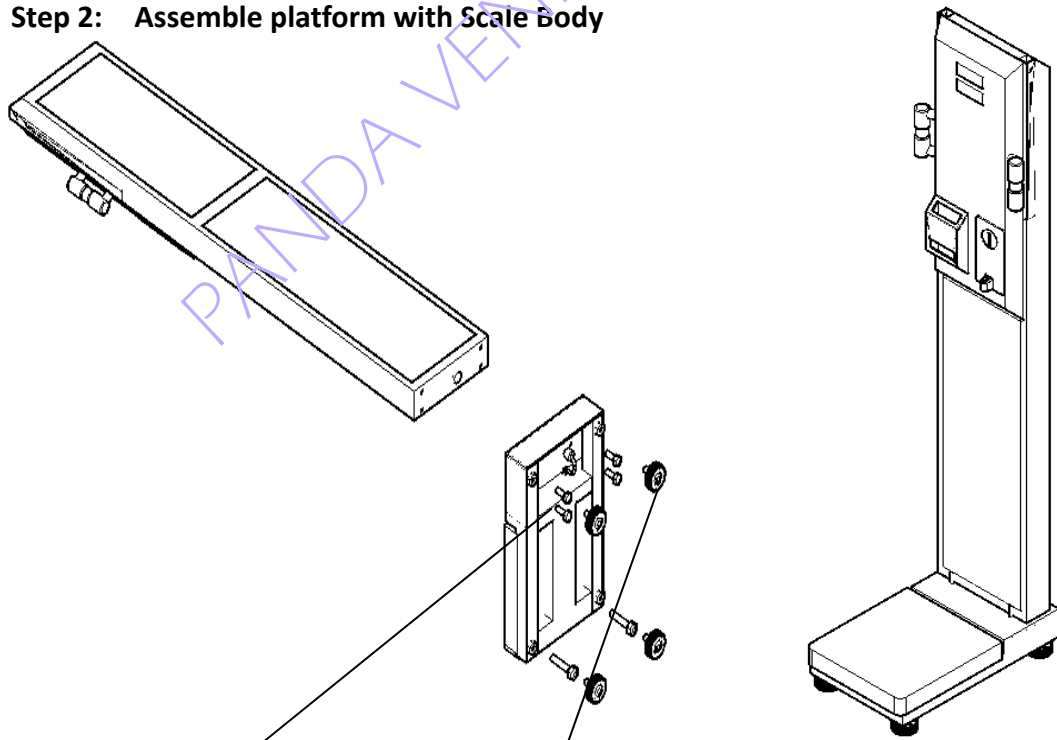


Assembling Steps

Step 1: Open the package and check out the parts like scale body, height sensor saddle, platform, Omron BP, coin box.

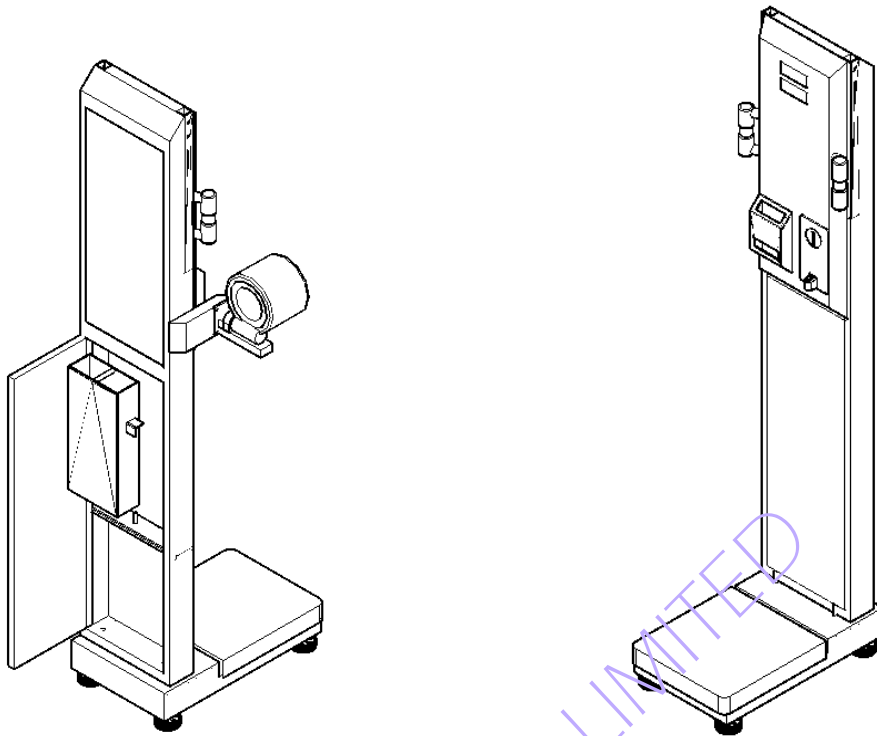


Step 2: Assemble platform with Scale Body

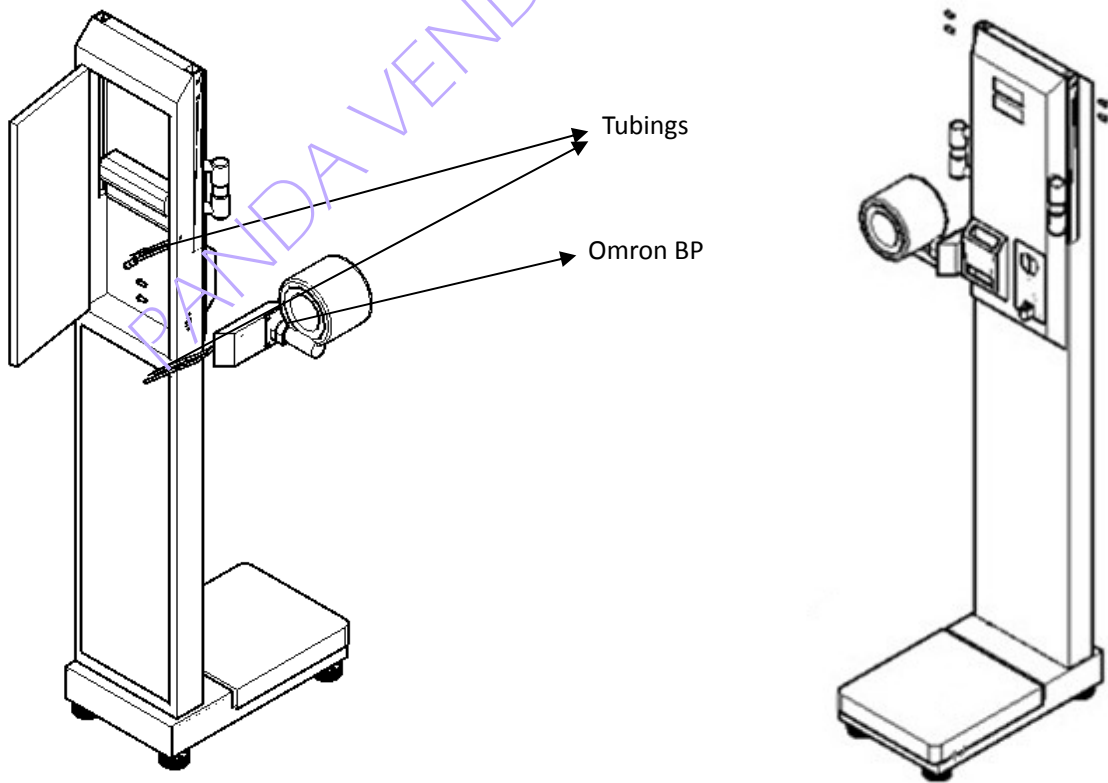


Pull out of this two bolts, then screw this round wheel bolts.

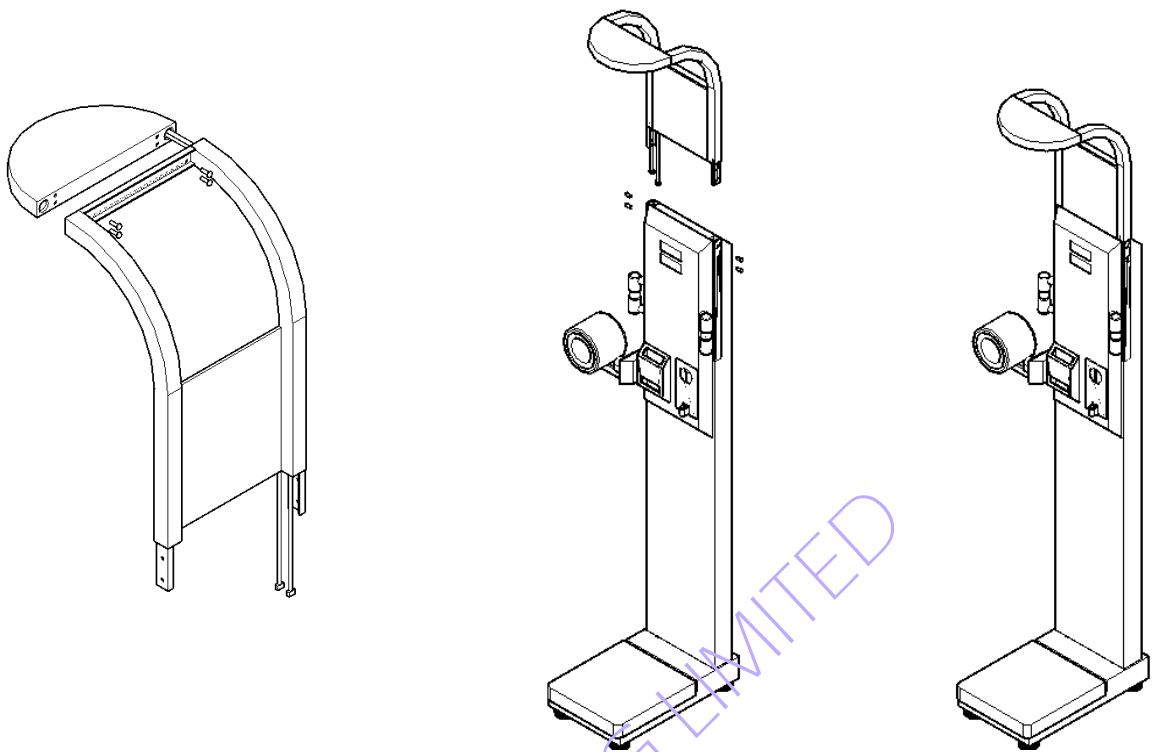
Step 3: Place coin box



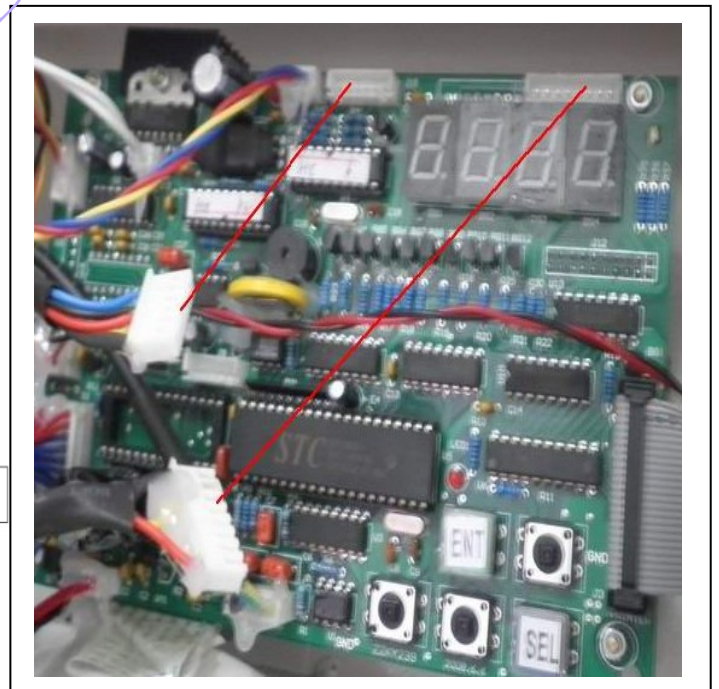
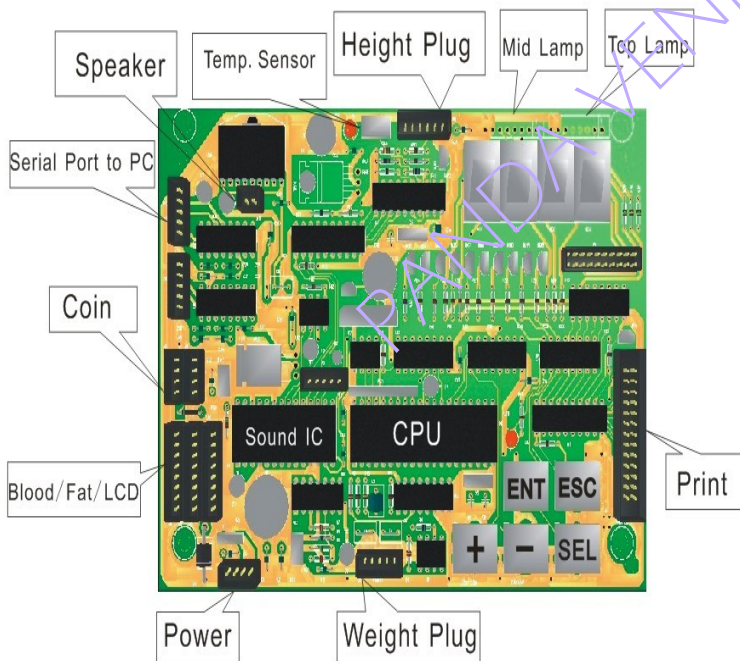
Step 4: Assemble Omron BP, and connect the tubings.



Step 5: Assemble the height sensor panel , then assemble it on scale body:



Step 6: Connect the TEMP.CONNECTOR AND HEIGHT CONNECTOR



Step 7: Please refer to manual to calibrate and operate the machine.