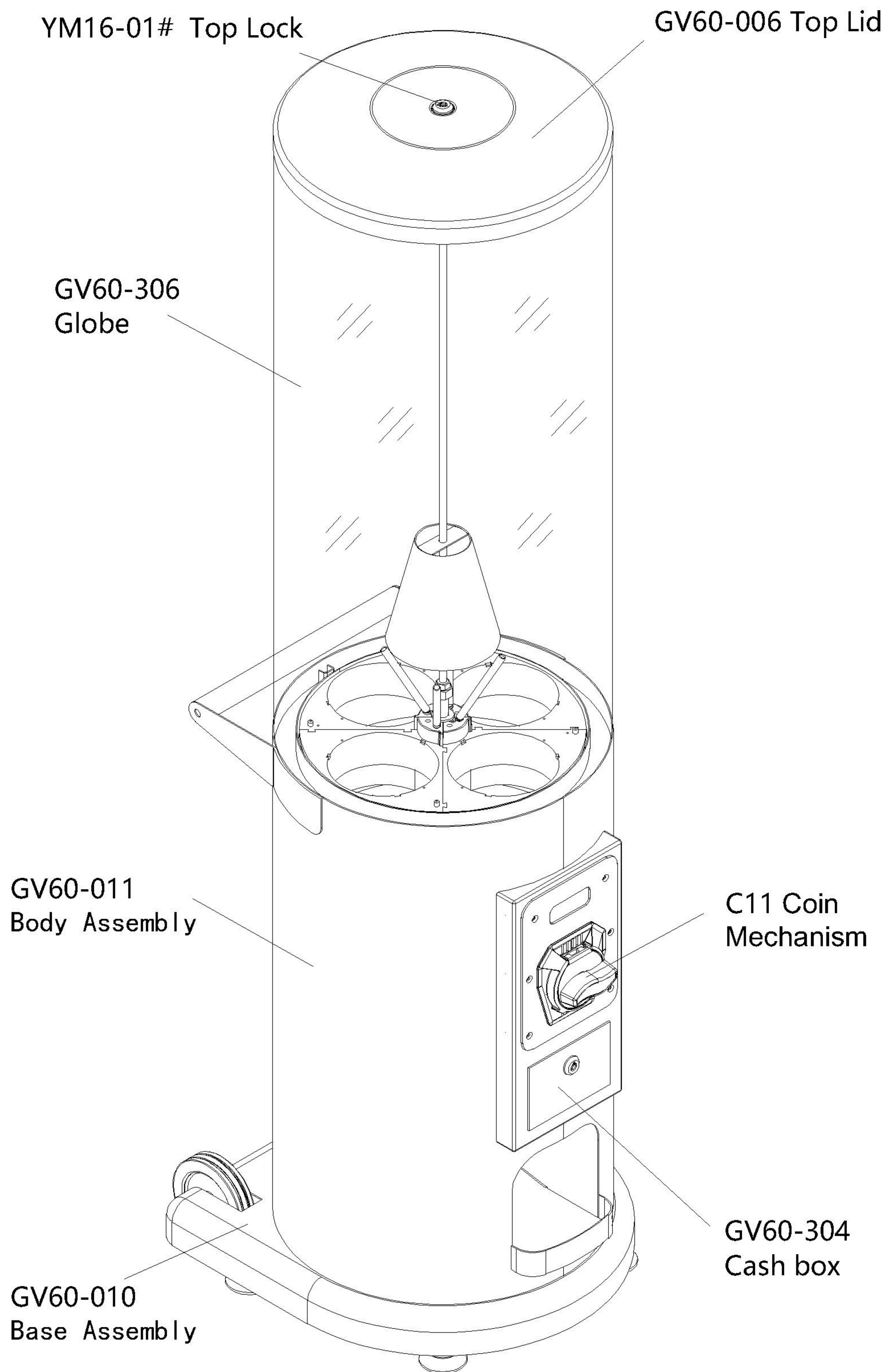


# CAPSULE VENDING MACHINE INSTRUCTION MANUAL

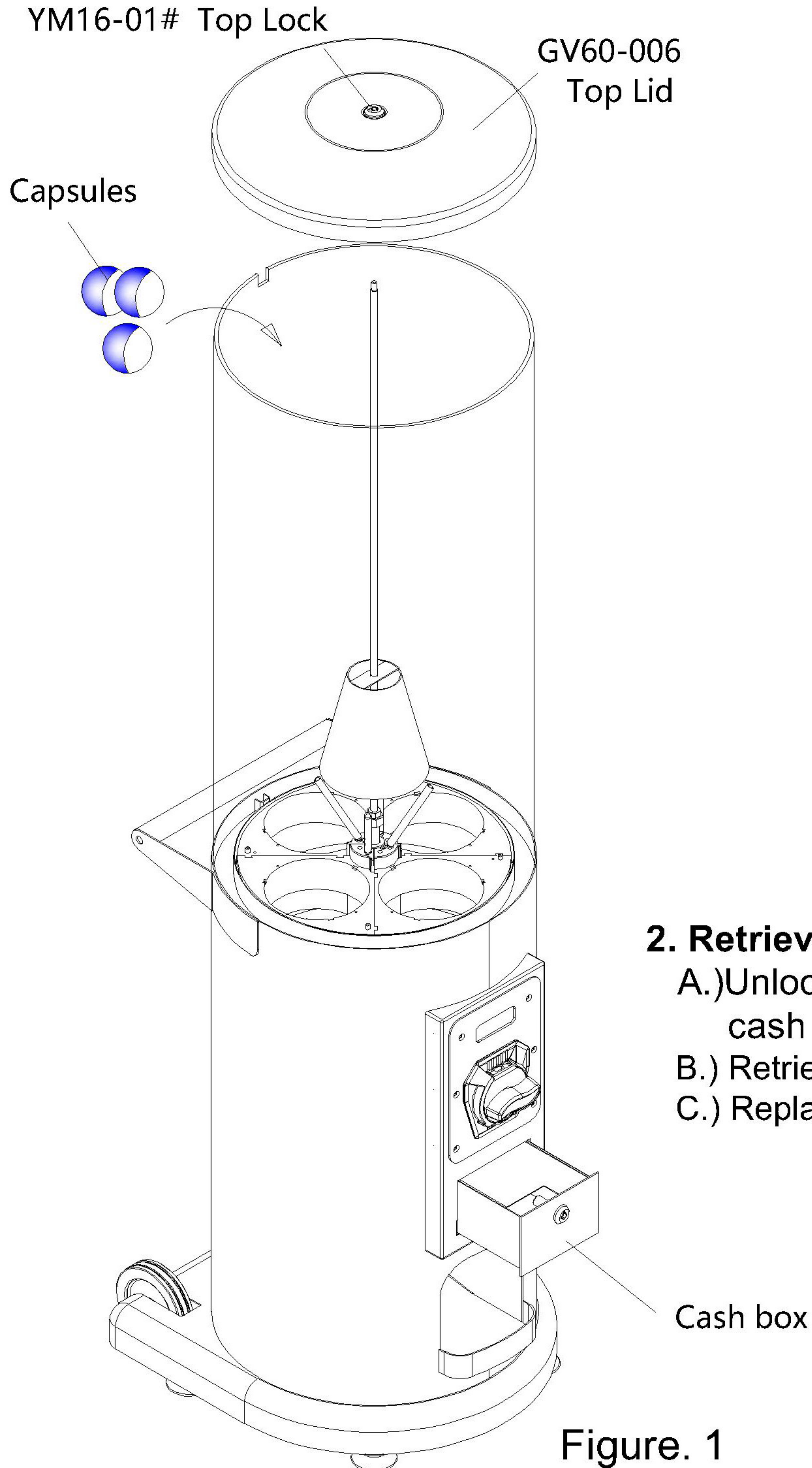
## MODEL: TR608 (GV60)



# Basic Operation

## 1. Add the capsule toys or bounceball:

- A.) Unlock and remove the top lid (figure. 1).
- B.) Put the capsule toys, Close the top lid after lock.



## 2. Retrieve the COINS:

- A.)Unlock and remove the cash box (figure. 1).
- B.) Retrieve coin from cash box.
- C.) Replace and tighten Lock.

Figure. 1

# Basic Operation

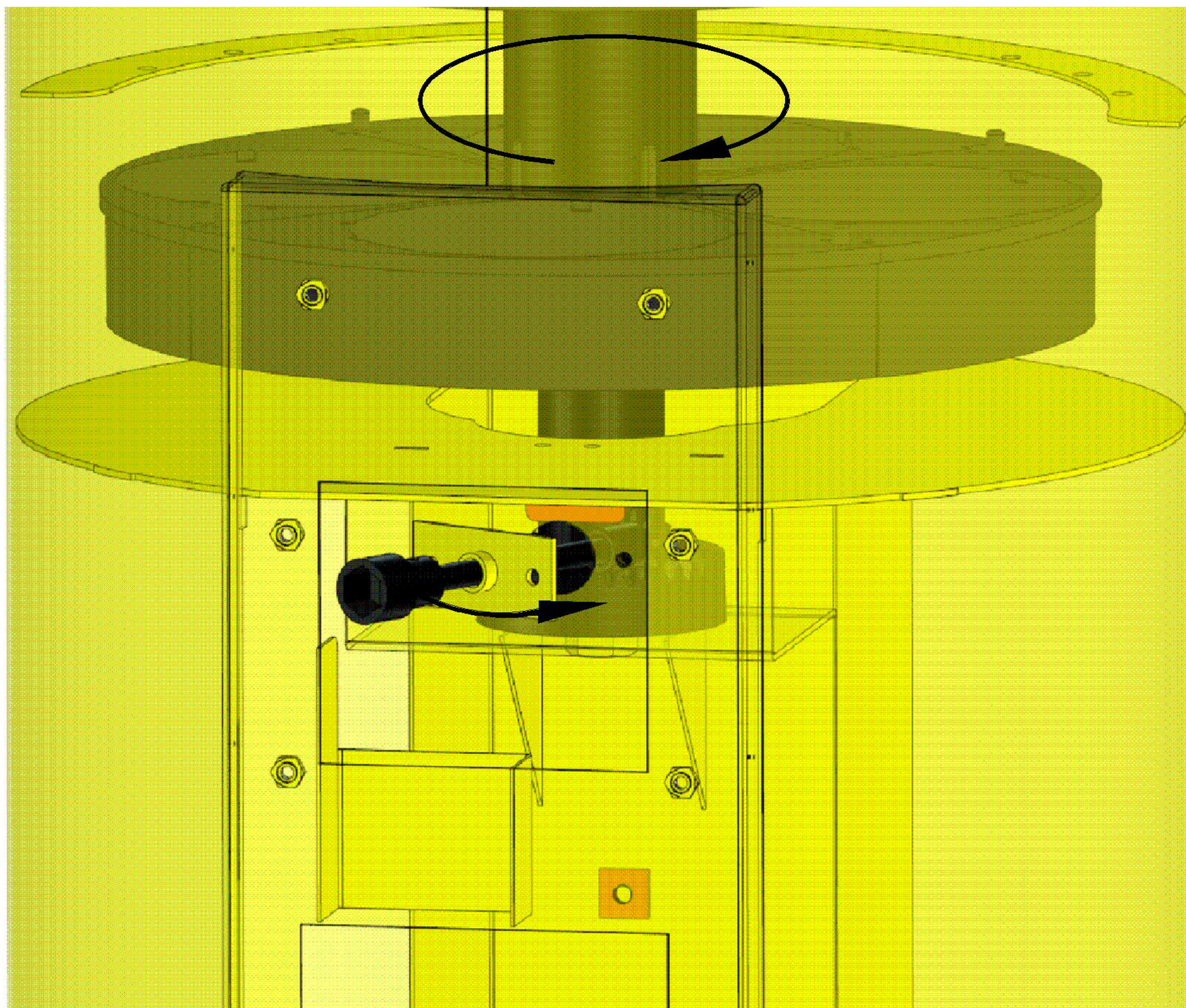


Figure. 2

### 3 Change of gear link:

- A.) Unlock and remove the coin mechanism (figure. 4).
- B.) Remove the 2 screws (figure. 3).
- C.) Remove the broken gear link.
- D.) Oblique insert gear link(figure. 2).
- E.) Rotate the capsule wheel and pull the gears link head to the right.
- F.) Rotate the grars link, Aim a hole in the wheel at the channel.
- G.) Assembly 2 screws
- H.) Assembly coin mechanism.

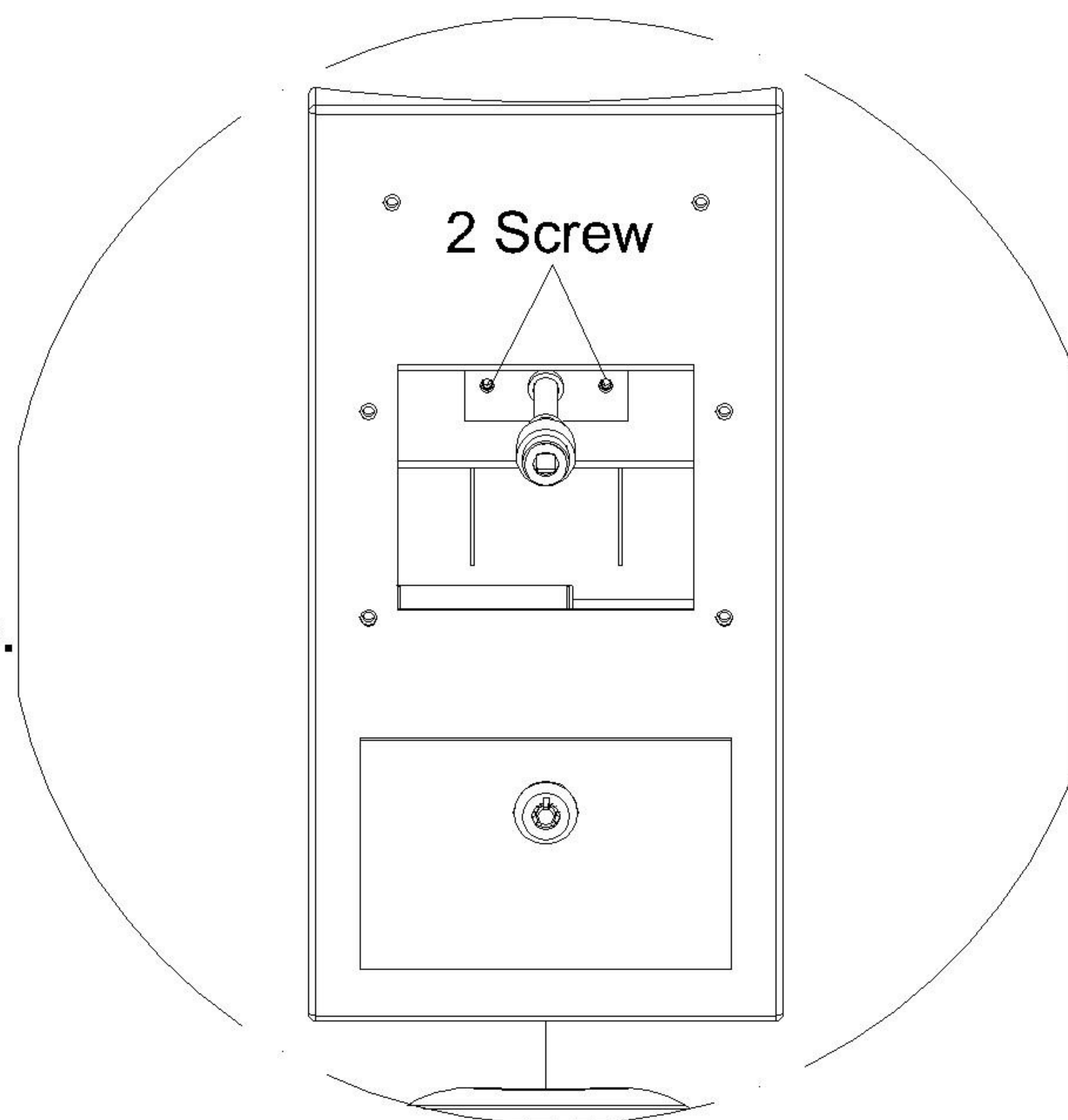


Figure. 3

## Coin Mechanism

Remove six(6) screws, Take down front plate assembly.

### 1. To dismantle coin mechanism:

- A) Remove center screw (figure. 4).
- B) Remove sprocket.
- C) Remove three(4) mounting screws.
- D) Pull back plate away from face plate.
- E) Remove coin wheel.
- F) Replace parts in step A-F in reverse order.

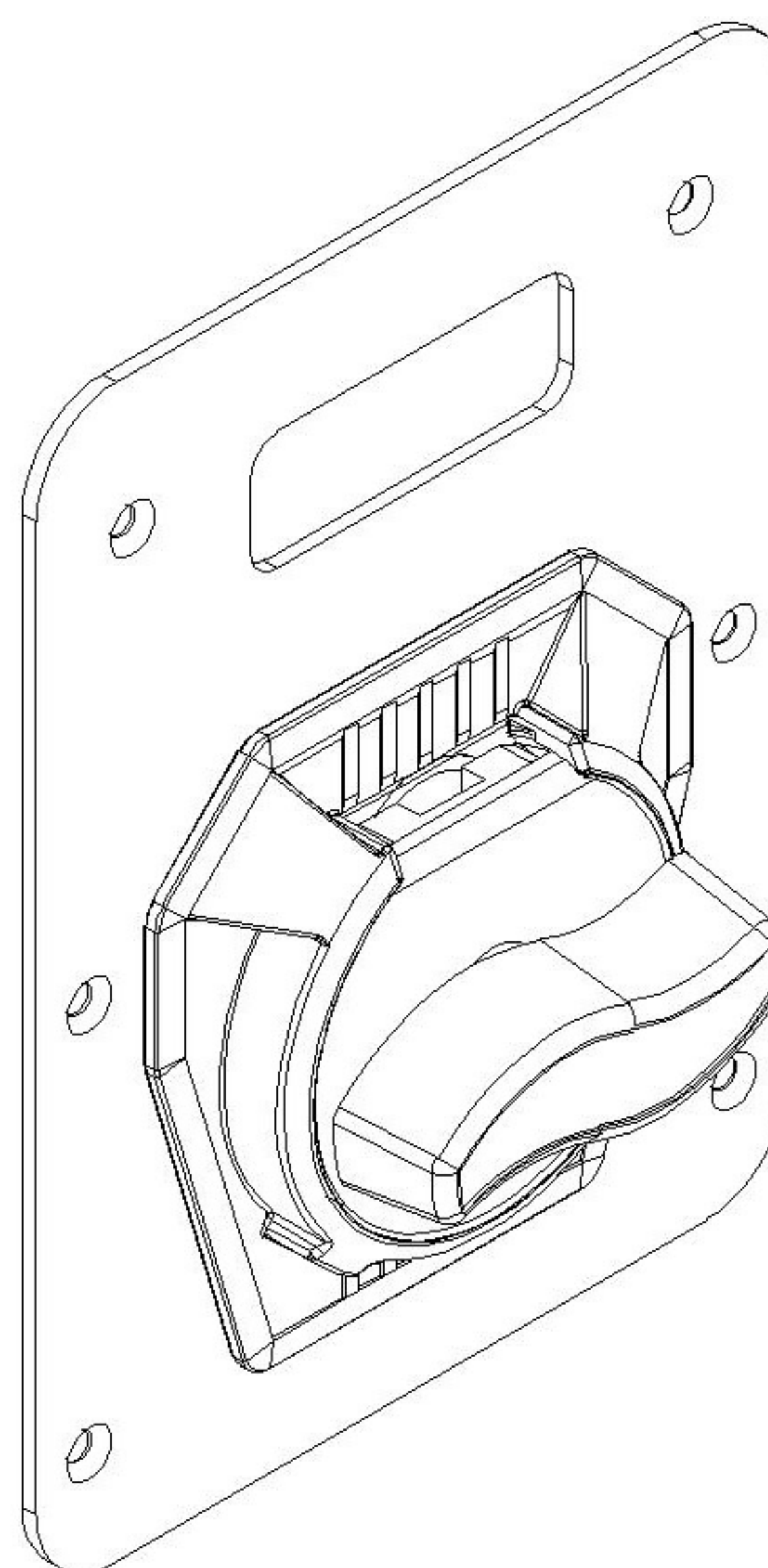


Figure. 4

**Figure 5** coin mechanism exploded view illustration for adjustment and maintenance only. Coin mechanism parts not sold separately.

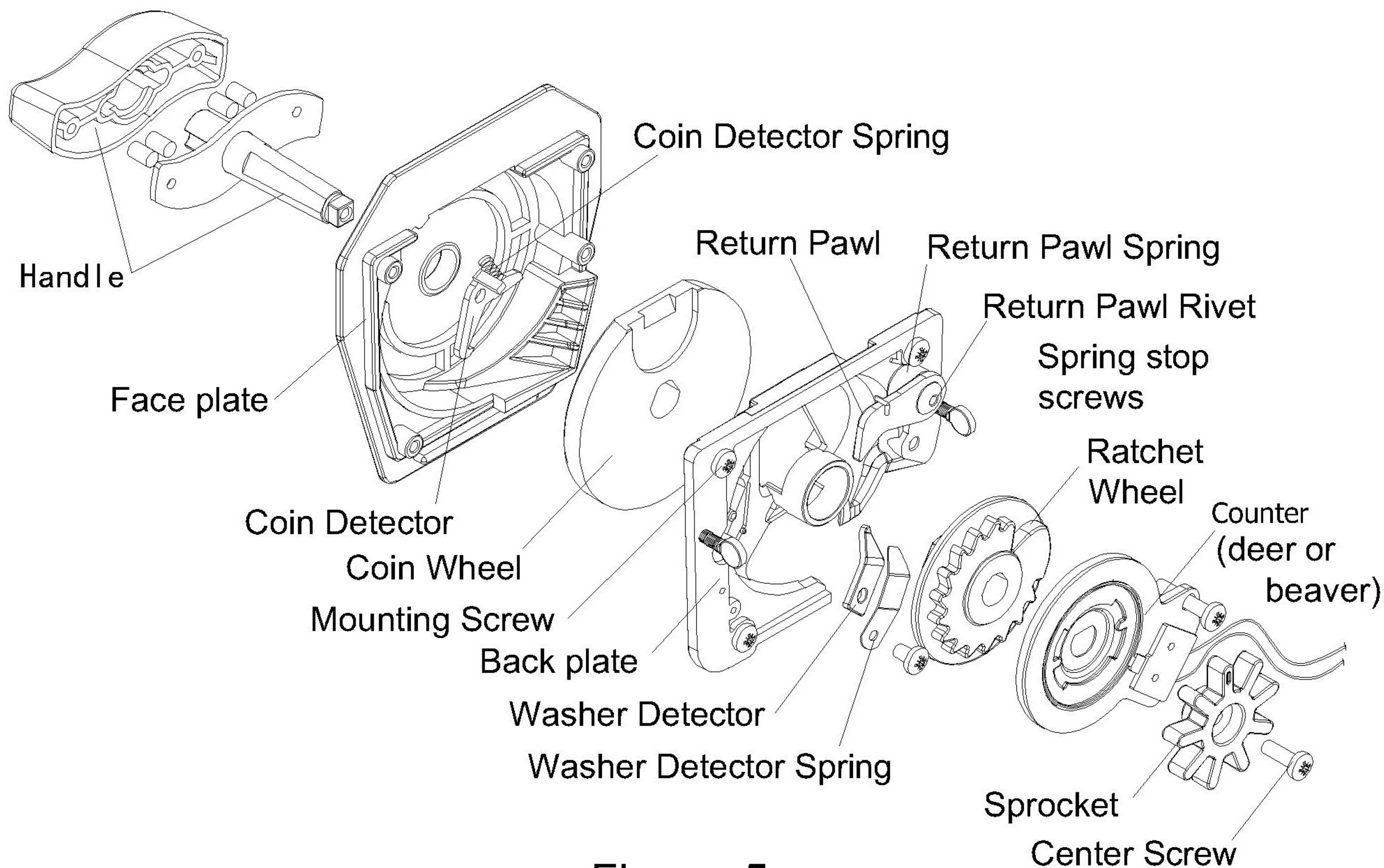


Figure. 5