

PINBALL MACHINE INSTRUCTIONS



How to play (Factory Settings)

- A) Insert coin then twist the handle of coin-mech to 360 degree. The balls coming to playing field ;
- B) Press the Button to hit the ball ;
- C) The Playing field has a football goal , the kid got the ball when the ball come into it .

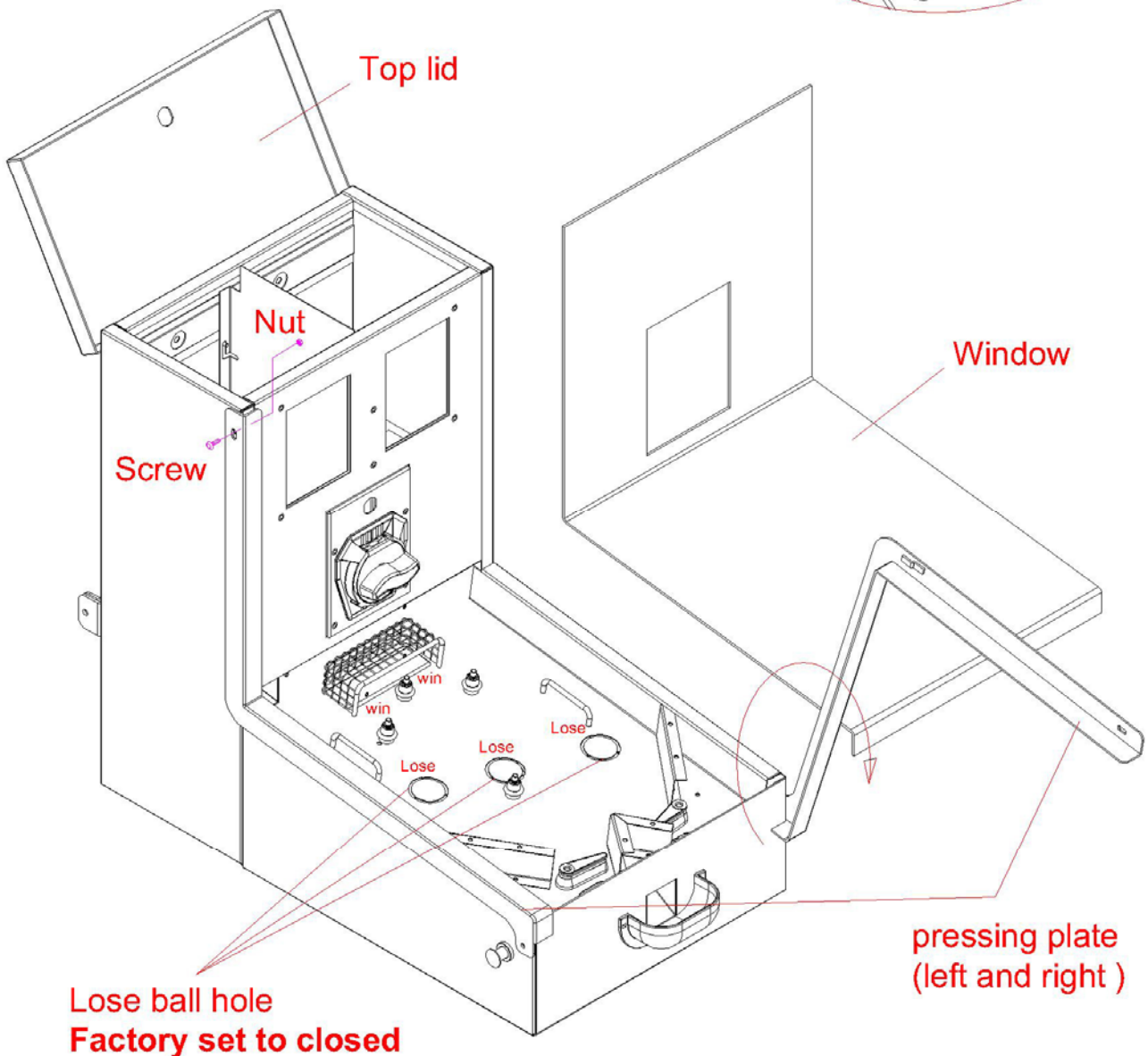
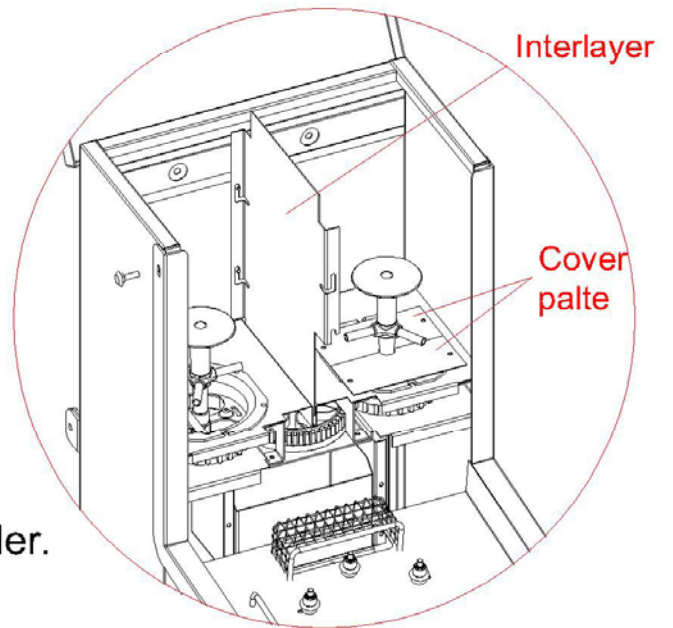


Optional play set

Alternatives can be used to sell capsule toy reward a bouncing ball at the same time, **but the bouncing ball it may be recycled.**

How to set up

- A) Open the top lid;
- B) Remove the right side of the cover plate, let the capsule wheel exposed.
- C) Install the interlayer.
- D) Remove pressing plate screws, nuts.
- E) Raise the pressure plate, remove the window.
- F) Open the lose ball hole (1pc or 3pcs).
- G) Replace parts in step A-F in reverse order.



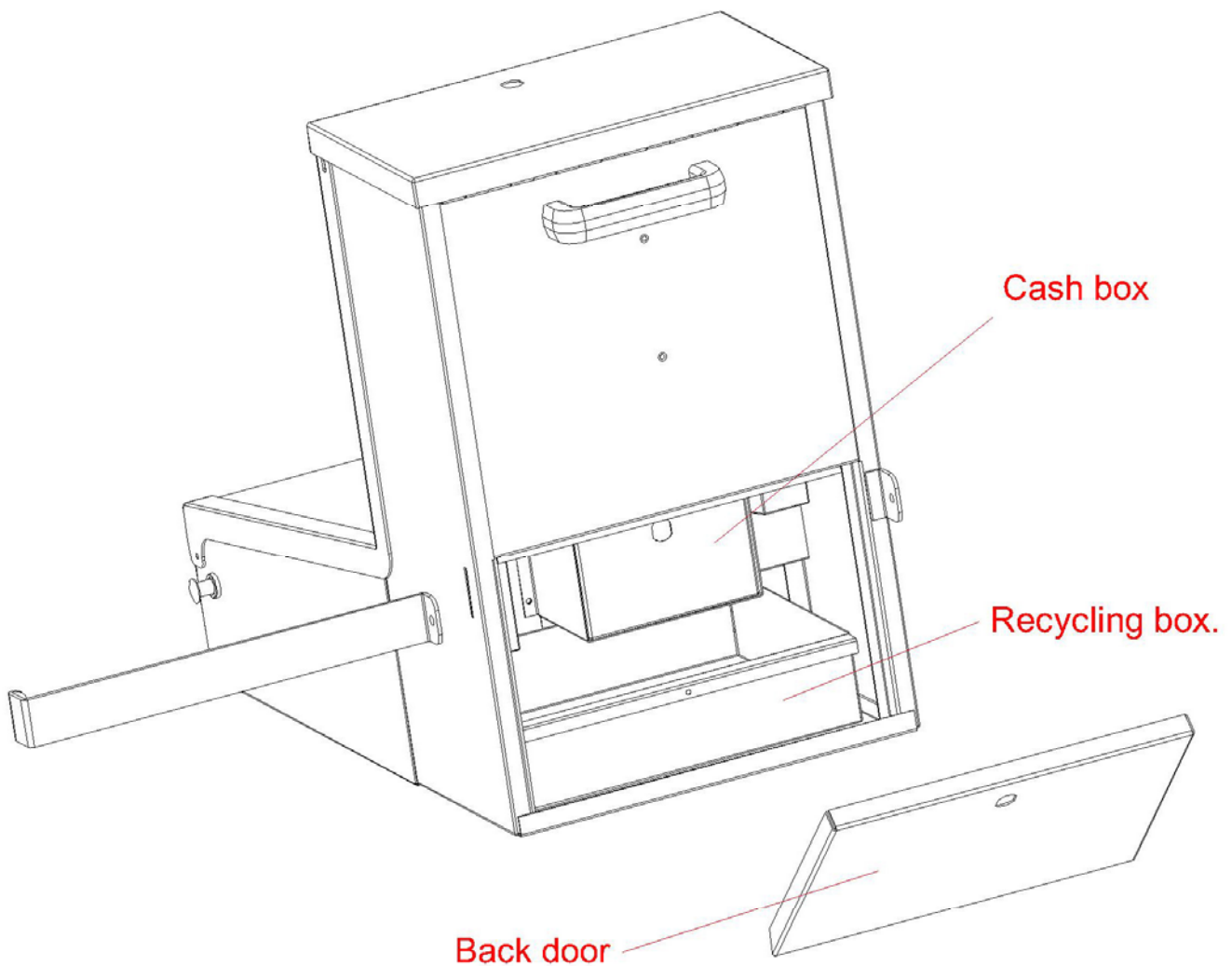
To retrieve coins and lose ball

1.To retrieve coins

- A)Unlock back door lock, removed back door,
- B)Unlock cash box lock, Pull out cash box.
- C)Retrieve coins from cash box.
- D)Replace parts in step A-C in reverse order.

2.To retrieve lose ball

- A)Unlock back door lock, removed back door,
- B)Pull out cash box.
- C)Retrieve the ball from the recycling box.
- D)Replace parts in step A-C in reverse order.



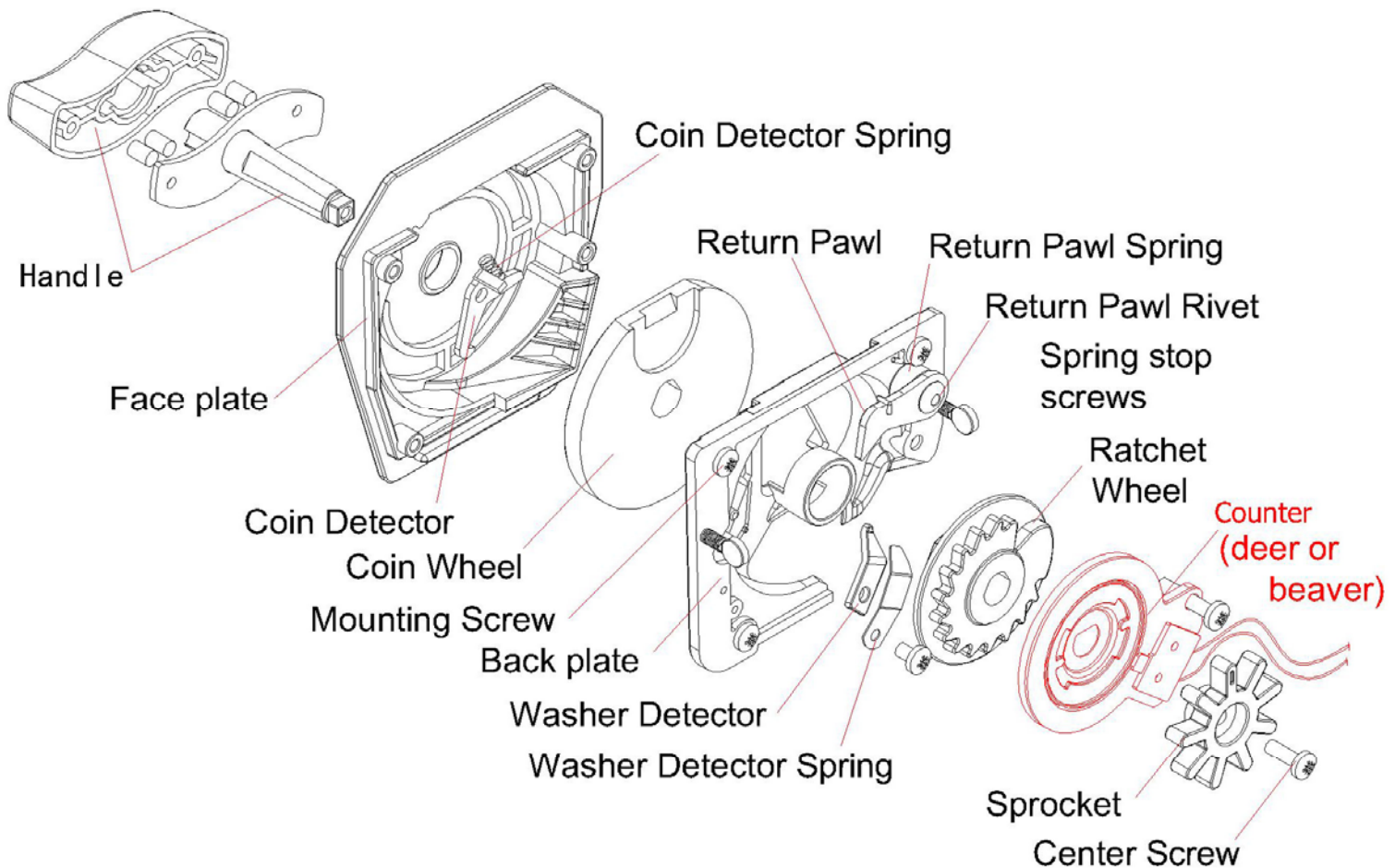
Coin Mechanism

Using keys to open the front door assembly. Remove the (4) nuts on the back, Coin mechanism will be separated.

1. To dismantle coin mechanism:

- A) Remove center screw.
- B) Remove sprocket.
- C) Remove four(4) mounting screws.
- D) Pull back plate away from face plate.
- E) Remove jammed coin.
- F) Replace parts in step A-F in reverse order.

Figure 4 coin mechanism Eexploded view illustration for adjustment and maintenance only. coin mechanism parts not sold separately.



How to fix the pinball machine on Stand

- A)The first step ,Use the eight(8) hexagon bolts to assembled the stand ;
- B)Put the pinball machine on the stand ,Mobile to adjust the position ;
- C)Use four(4) Cross recessed countersunk head screws And two(2) Connection plates to fix ;
- D)Adjust the levelers when the pinball machine be put on the stand is shaking

